

## Drop-In Heated Plate Dispenser, 2 cylinders - Ø180-240 mm

ITEM # \_\_\_\_\_

MODEL # \_\_\_\_\_

NAME # \_\_\_\_\_

SIS # \_\_\_\_\_

AIA # \_\_\_\_\_


**341165 (D33H)**

 Drop-in heated Plate  
 Dispenser, double cylinder,  
 plate diameter 180-240 mm

### Short Form Specification

**Item No.** \_\_\_\_\_

Two cylinders plate lowerator: the cylinder can accommodate up to 50 plates of 240 mm diameter. Heated cylinder: allows to keep the plates hot at desired temperature. Guiding profiles inside the cartridges allows to accommodate different shaped plates/bowls.

### Main Features

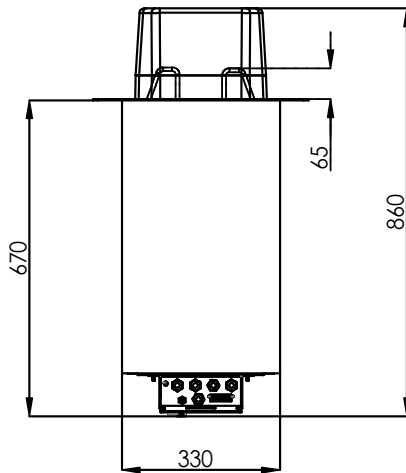
- Heated cylinder: Allows to keep the plates hot at desired temperature.
- CB and CE certified by a third party notified body.
- Designed to be positioned in flush installation providing improved cleanability and suitable for modern design installations.
- As standard the product comes with digitally controlled thermostat which is in line of HACCP norms and provides visual alarm as a warning of the increasing or decreasing temperatures.
- Guiding profiles inside the cartridges allows to accommodate different shaped plates/bowls.
- Precise temperature control and setting at 0,1°C .
- Two cylinders plate lowerator: each cylinder can accommodate up to 50 plates of 240 mm diameter

### Construction

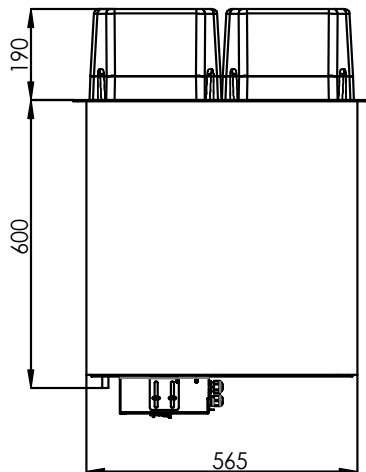
- IPx4 water protection.
- Electronic control with temperature display.

**APPROVAL:** \_\_\_\_\_

Front

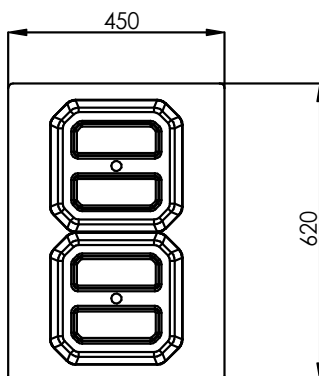


Side



EI = Electrical inlet (power)

Top


**Electric**

Supply voltage: 220-240 V/1N ph/50/60 Hz  
 Electrical power, max: 1.62 kW

**Key Information:**

External dimensions, Width: 620 mm  
 External dimensions, Depth: 450 mm  
 External dimensions, Height: 860 mm  
 Net weight: 32 kg